



WINDOW  
&  
DOOR  
SYSTEMS...



Window Expert Industries Pvt.Ltd.

PLASTO





# Window Expert<sup>®</sup>

*Fenestration Professionals*

ABOUT US: Welcome to Window Expert Industries Pvt. Ltd. We are one of the leading manufacturer of premium uPVC & Aluminium Windows Doors in India. We started in 2004 with the manufacturing capacity of 10 windows per day. We firmly believe in perfection & that is the reason we meticulously follow all the International Standard to maintain the quality in all the parameters. CNC machines. We are proud of producing both Aluminium & uPVC window with the capacity of 150 units per day under one roof.

VISION: "To become a number one Fenestration Solutions Company in India by providing best quality & service"

MISSION: "To become preferred company for supplying premium Windows & Doors"





## Benefits of Aluminium Windows

### The Process Flow Implementation





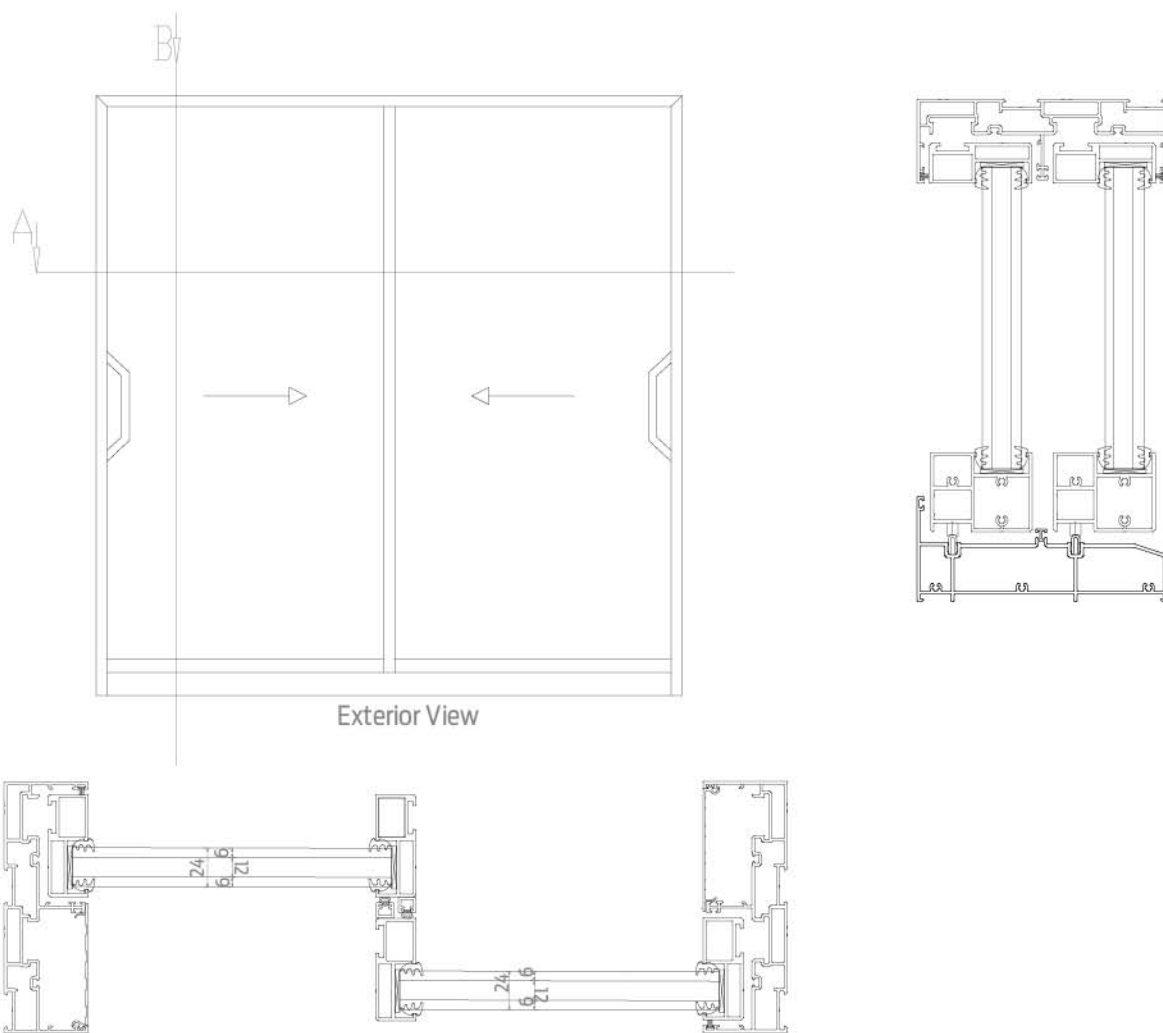




# SLIDING SERIES



**WE - Minimal - Visualization Picture**



## ASSEMBLY DRAWING DETAILS

\*Above data is for reference purpose only. It is advisable to take prior confirmation from our design before placing any order.

## SYSTEM TECHNICAL SPECIFICATION

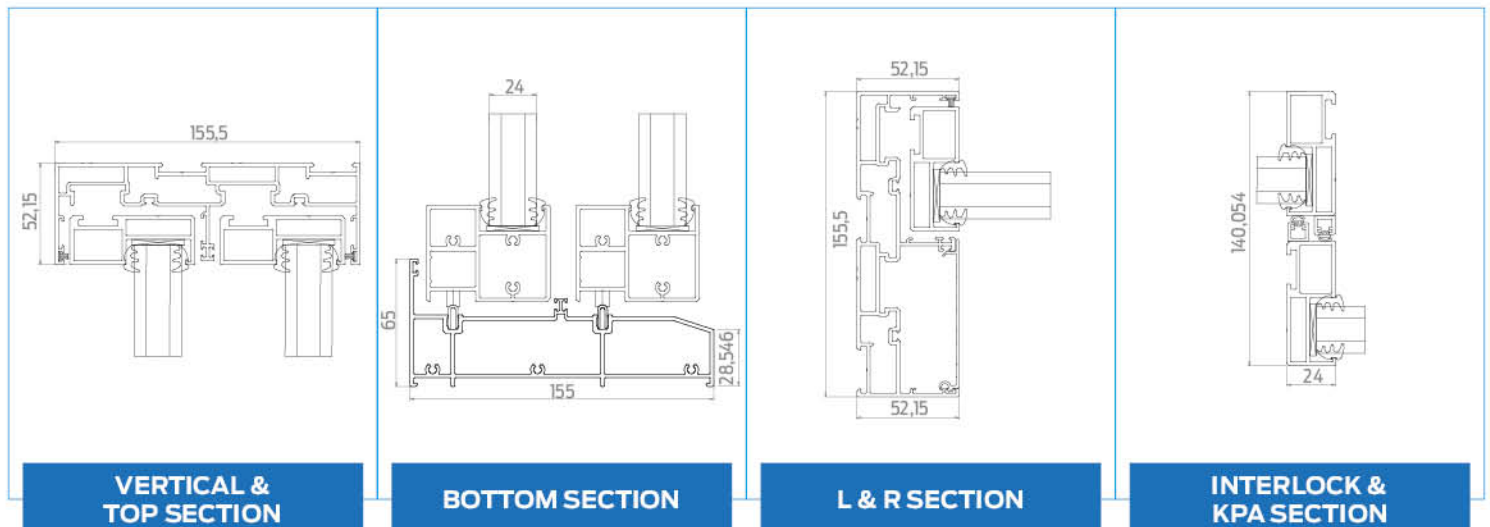
|   |               |
|---|---------------|
| Profile Alloy                               | 6063 T6       |
| Glass Thickness                             | 5 to 24 mm    |
| Max Height / Shutter*                       | 3600 mm       |
| Max Weight / Shutter                        | 450 KGS       |
| Concealed Locking                           | YES           |
| Mosquito Mesh Solution                      | Collapsible   |
| Hidden Bottom                               | YES           |
| Corner Opening                              | YES           |
| Roller Bearing (120 to 350kg / per Bearing) | S.S 304 Body  |
| Stainless Steel Rail                        | S.S 304 Grade |

## APPLICATION & SECTION DETAIL

|                              |           |
|------------------------------|-----------|
| Frame Top & Vertical Height* | 52.15 mm  |
| Frame Bottom Height*         | 65.00 mm  |
| Frame Width [2t-2p]*         | 155.05 mm |
| Sightline At Interlock*      | 24 mm     |

## TEST REPORT

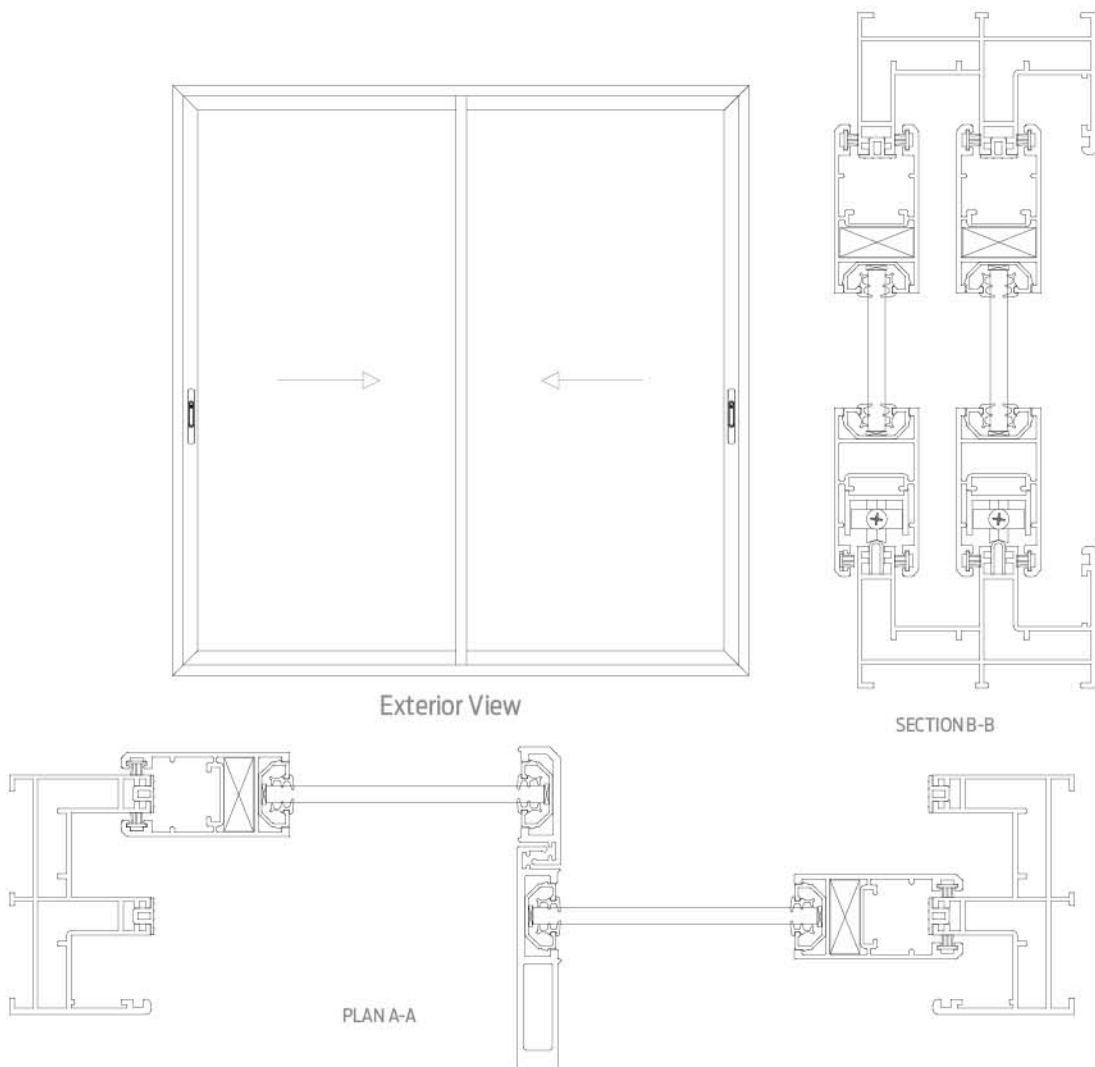
|                    |              |
|--------------------|--------------|
| Wind Resistance*   | Up to 2.2KPa |
| Air Infiltration*  | 300 Pa       |
| Water Penetration* | 390 Pa       |



# SLIDING SERIES



**WE-SL15 Ultra Slim - Visualization Drawing**



## ASSEMBLY DRAWING DETAILS

\*Above data is for reference purpose only. It is advisable to take prior confirmation from our design before placing any order.



## SYSTEM TECHNICAL SPECIFICATION

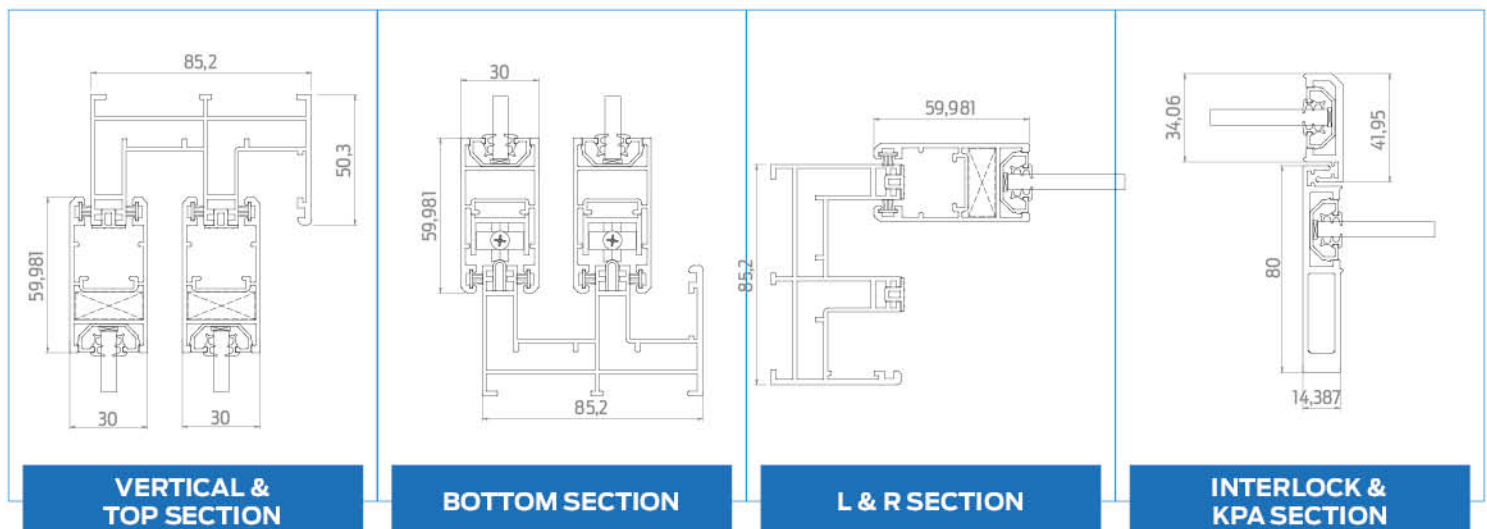
|  |                |
|--|----------------|
| Profile Alloy                              | 6063 T6        |
| Glass Thickness                            | 5 to 24 mm     |
| Max Height / Shutter*                      | 2400 mm        |
| Max Weight / Shutter                       | 350 kgs        |
| Multi Locking / Single Locking             | YES            |
| Mosquito Mesh Solution                     | Collapsible    |
| Hidden Bottom                              | YES            |
| Corner Opening                             | YES            |
| Roller Bearing (40 to 160kg / per Bearing) | Aluminium Body |
| Stainless Steel Rail                       | S.S 304 Grade  |

## APPLICATION & SECTION DETAIL

|                         |           |
|-------------------------|-----------|
| Frame Height*           | 50.3 mm   |
| Frame Width [2t-2p]*    | 85.2 mm   |
| Frame Width [3t-3p]*    | 118.48 mm |
| Sightline at Interlock* | 15 mm     |

## TEST REPORT

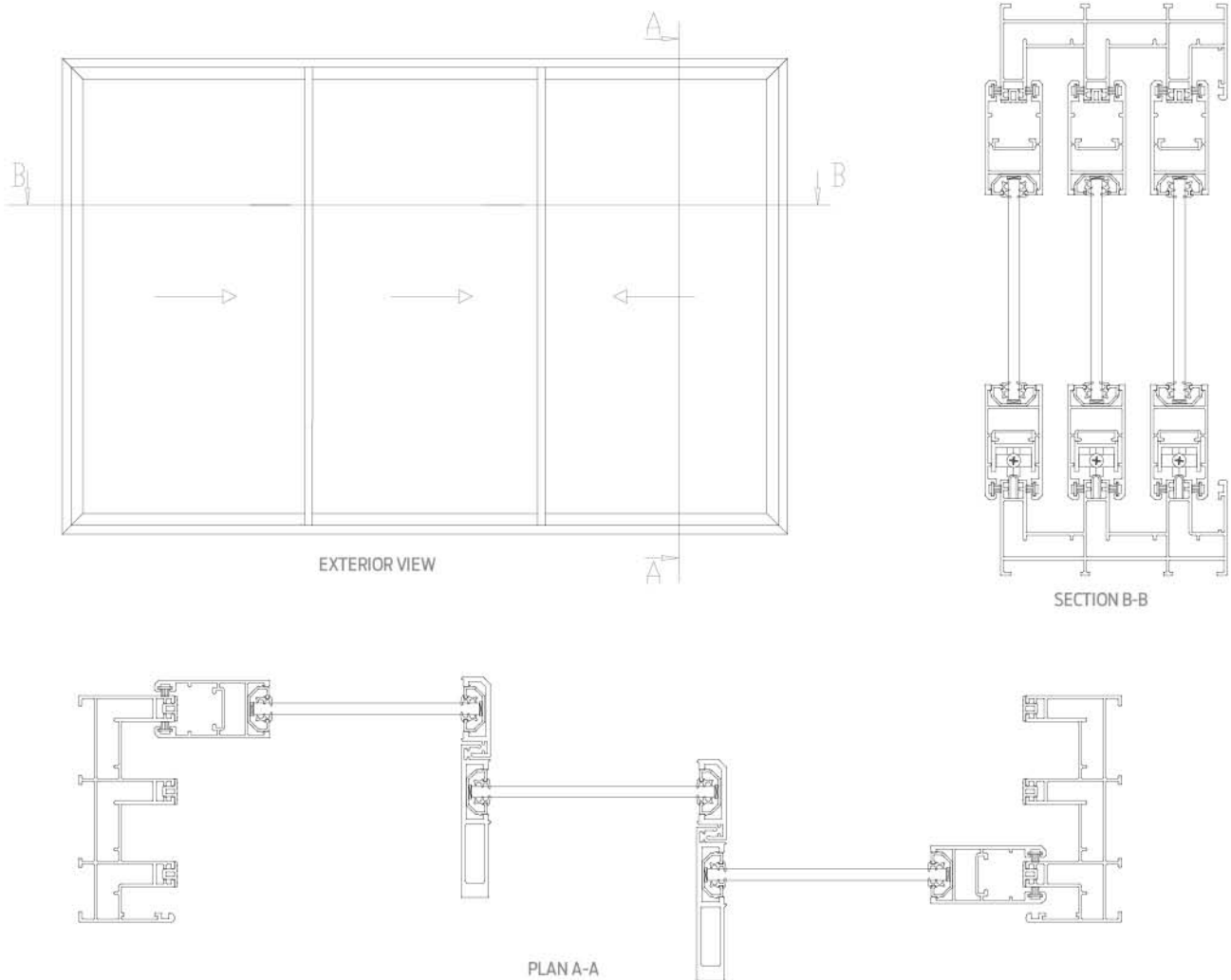
|                    |            |
|--------------------|------------|
| Wind Resistance*   | Up to 2KPa |
| Air Infiltration*  | 300 Pa     |
| Water Penetration* | 390 Pa     |



# SLIDING SERIES



## WE-SL15 Ultra Slim - Visualization Drawing



## ASSEMBLY DRAWING DETAILS

\*Above data is for reference purpose only. It is advisable to take prior confirmation from our design before placing any order.



## SYSTEM TECHNICAL SPECIFICATION

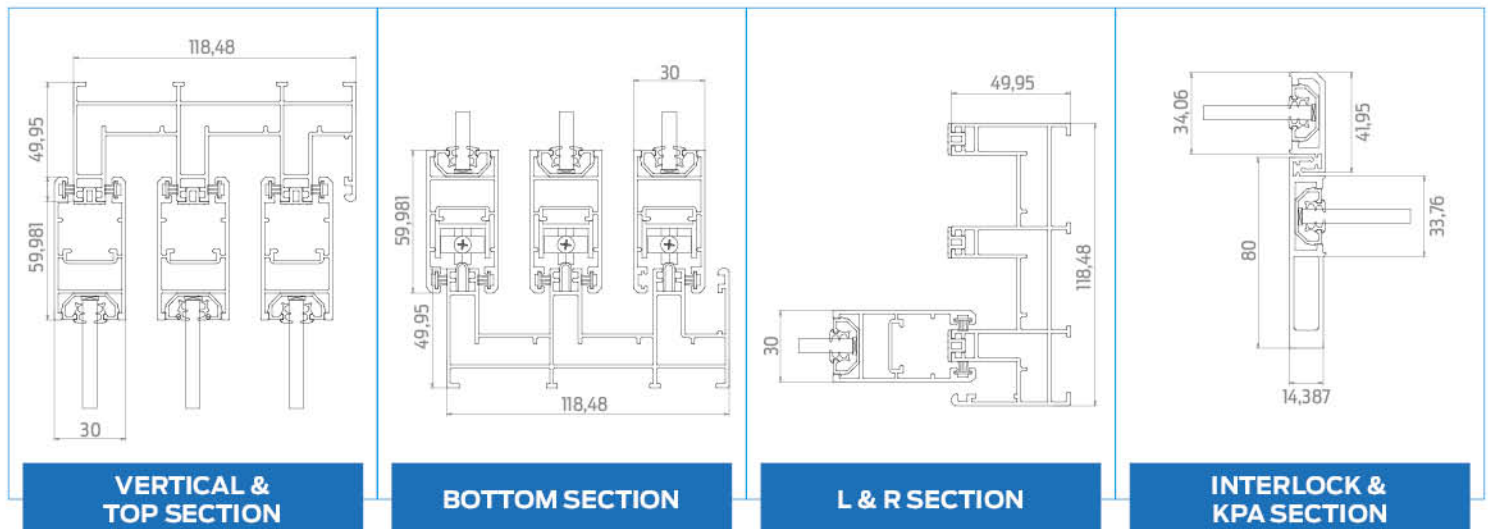
|  |                |
|--|----------------|
| Profile Alloy                              | 6063 T6        |
| Glass Thickness                            | 5 to 24 mm     |
| Max Height / Shutter*                      | 2400 mm        |
| Max Weight / Shutter                       | 350 kgs        |
| Multi Locking / Single Locking             | YES            |
| Mosquito Mesh Solution                     | Collapsible    |
| Hidden Bottom                              | YES            |
| Corner Opening                             | YES            |
| Roller Bearing (40 to 160kg / per Bearing) | Aluminium Body |
| Stainless Steel Rail                       | S.S 304 Grade  |

## APPLICATION & SECTION DETAIL

|                         |           |
|-------------------------|-----------|
| Frame Height*           | 50.3 mm   |
| Frame Width [3t-3p]*    | 118.48 mm |
| Sightline at Interlock* | 15 mm     |

## TEST REPORT

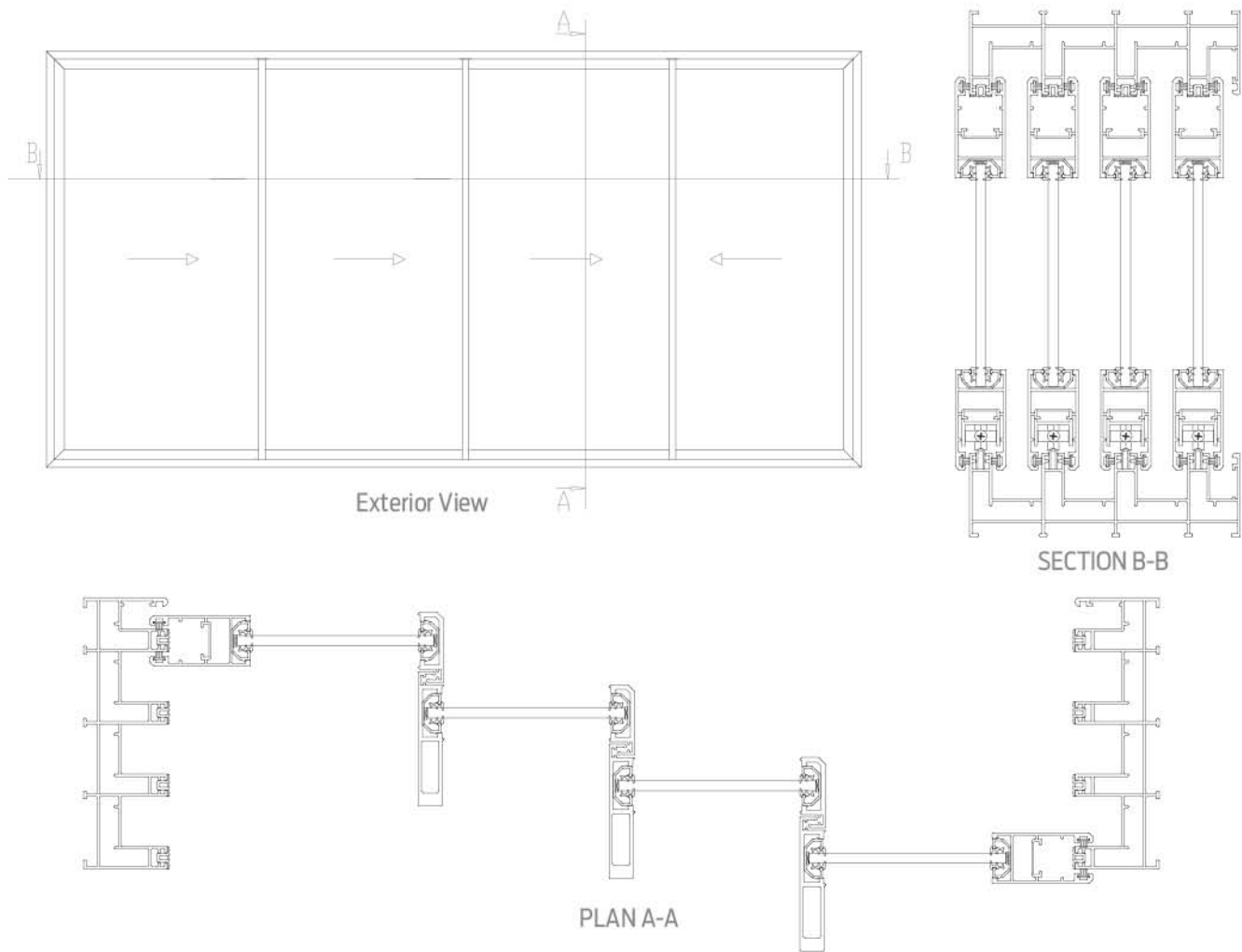
|                    |            |
|--------------------|------------|
| Wind Resistance*   | Up to 2KPa |
| Air Infiltration*  | 300 Pa     |
| Water Penetration* | 390 Pa     |



# SLIDING SERIES



## WE-SL15 Ultra Slim - Visualization Drawing



## ASSEMBLY DRAWING DETAILS

\*Above data is for reference purpose only. It is advisable to take prior confirmation from our design before placing any order.



## SYSTEM TECHNICAL SPECIFICATION

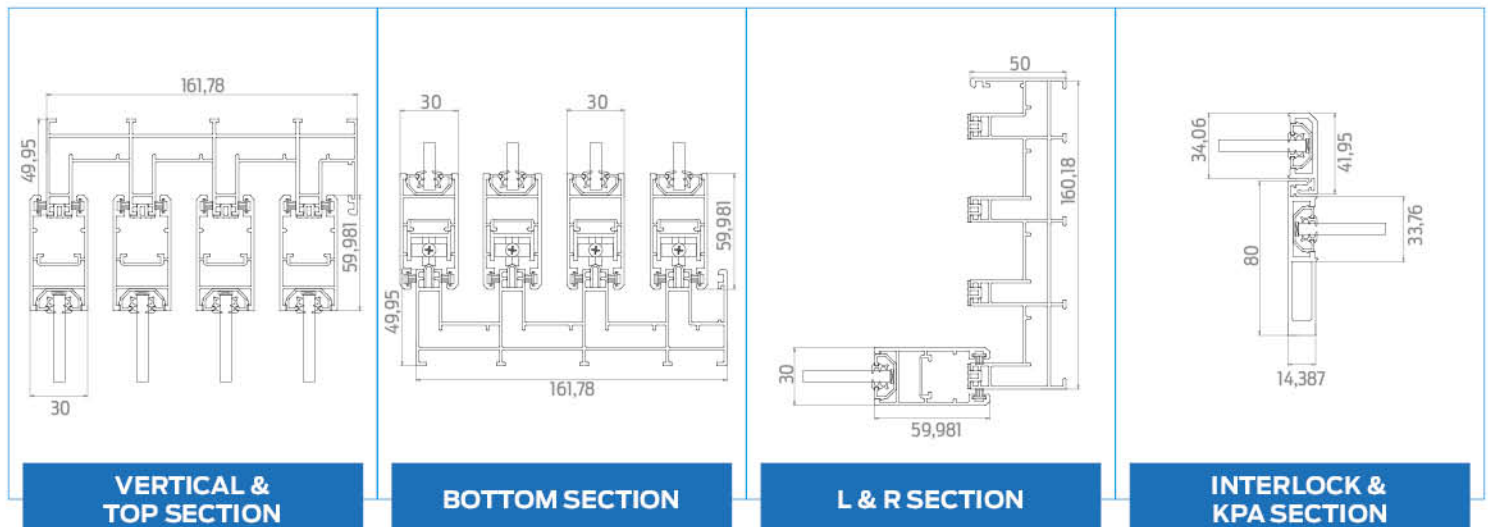
|  |                |
|--|----------------|
| Profile Alloy                              | 6063 T6        |
| Glass Thickness                            | 5 to 24 mm     |
| Max Height / Shutter*                      | 2400 mm        |
| Max Weight / Shutter                       | 350 kgs        |
| Multi Locking / Single Locking             | YES            |
| Mosquito Mesh Solution                     | Collapsible    |
| Hidden Bottom                              | YES            |
| Corner Opening                             | YES            |
| Roller Bearing (40 to 160kg / per Bearing) | Aluminium Body |
| Stainless Steel Rail                       | S.S 304 Grade  |

## APPLICATION & SECTION DETAIL

|                         |           |
|-------------------------|-----------|
| Frame Height*           | 50.3 mm   |
| Frame Width [4t-4p]*    | 161.78 mm |
| Sightline at Interlock* | 15 mm     |

## TEST REPORT

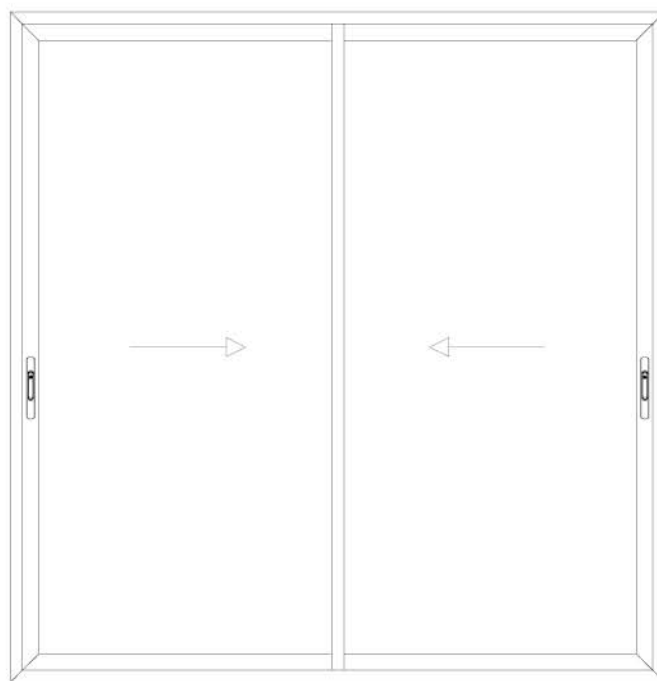
|                    |            |
|--------------------|------------|
| Wind Resistance*   | Up to 2KPa |
| Air Infiltration*  | 300 Pa     |
| Water Penetration* | 390 Pa     |



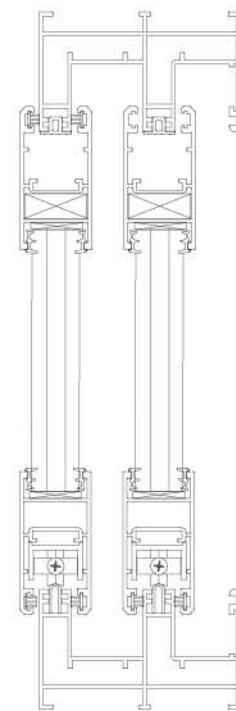
# SLIDING SERIES



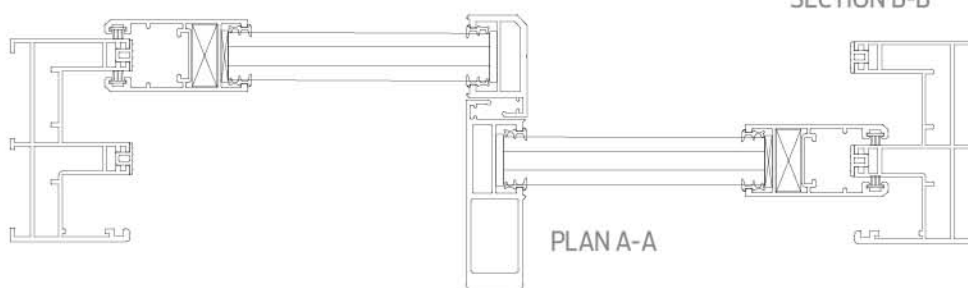
## WE-SL 25 Slim - Visualization Drawing



Exterior View



SECTION B-B



PLAN A-A

## ASSEMBLY DRAWING DETAILS

\*Above data is for reference purpose only. It is advisable to take prior confirmation from our design before placing any order.



## SYSTEM TECHNICAL SPECIFICATION

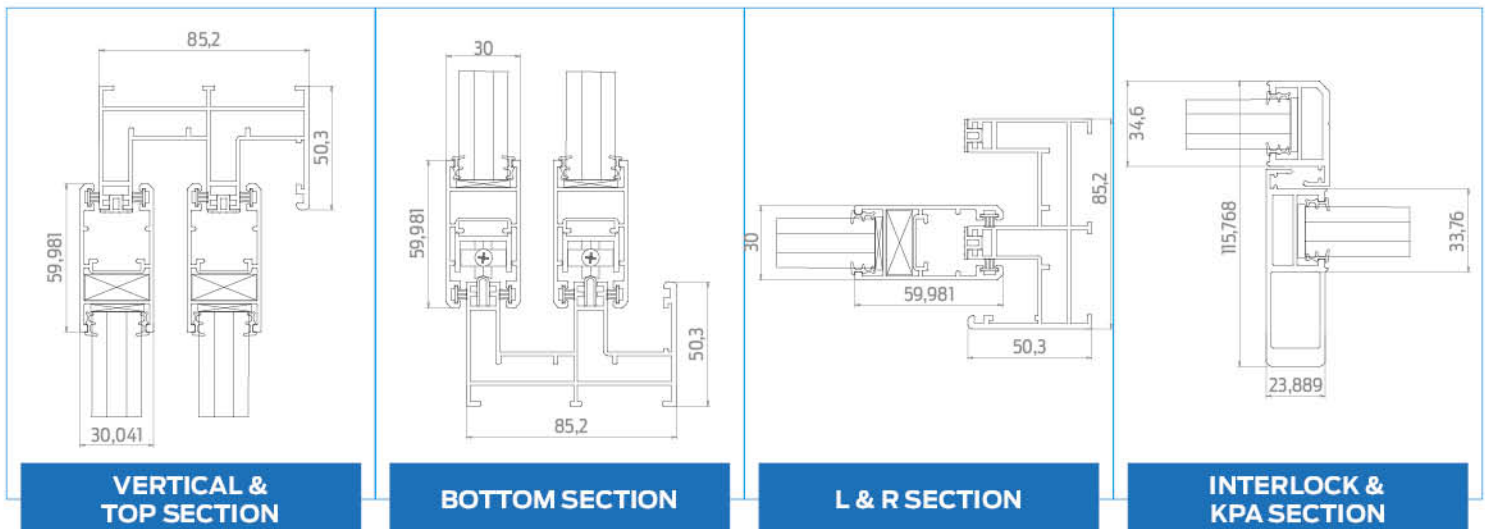
|  |                |
|--|----------------|
| Profile Alloy                              | 6063 T6        |
| Glass Thickness                            | 5 to 24 mm     |
| Max Height / Shutter*                      | 3000 mm        |
| Max Weight / Shutter                       | 350 KGS        |
| Multi Locking / Single Locking             | YES            |
| Mosquito Mesh Solution                     | YES            |
| Hidden Bottom                              | YES            |
| Corner Opening                             | YES            |
| Roller Bearing (40 to 160kg / per Bearing) | Aluminium Body |
| Stainless Steel Rail                       | S.S 304 Grade  |

## APPLICATION & SECTION DETAIL

|                         |          |
|-------------------------|----------|
| Frame Height*           | 50.3 mm  |
| Frame Width [2t-2p]*    | 85.02 mm |
| Sightline at Interlock* | 25 mm    |

## TEST REPORT

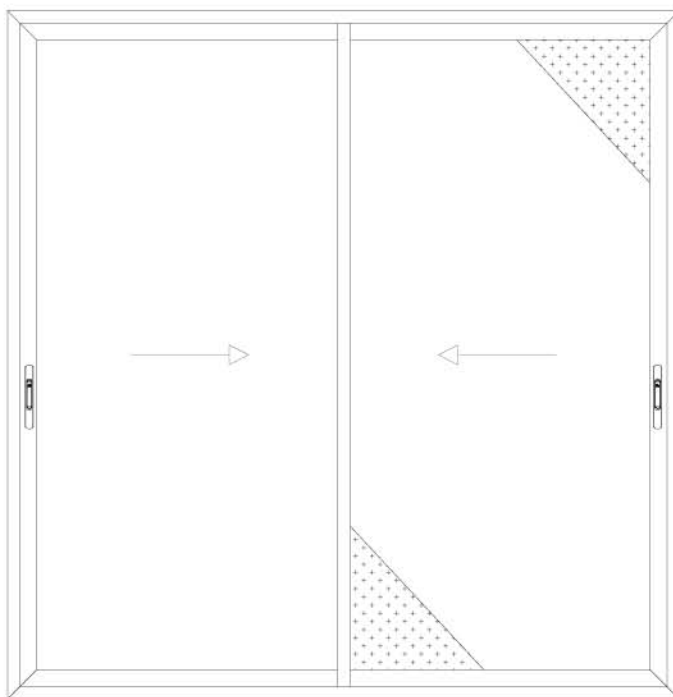
|                    |            |
|--------------------|------------|
| Wind Resistance*   | Up to 2KPa |
| Air Infiltration*  | 300 Pa     |
| Water Penetration* | 390 Pa     |



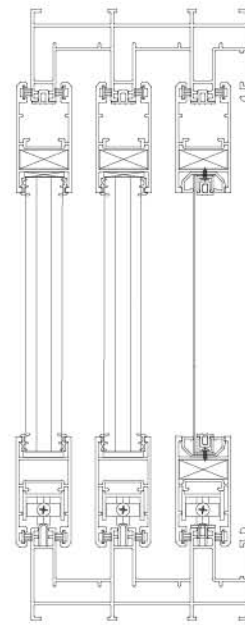
# SLIDING SERIES



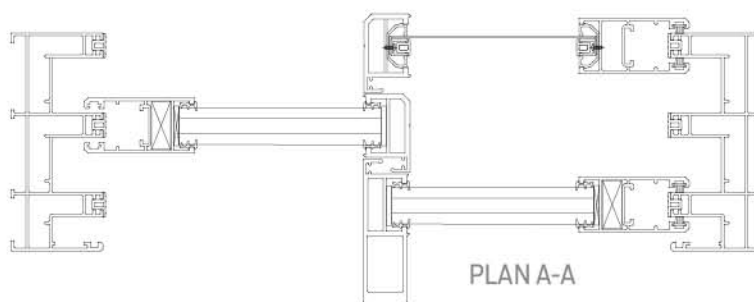
## WE-SL15 Ultra Slim - Visualization Drawing



Exterior View



SECTION B-B



PLAN A-A

## ASSEMBLY DRAWING DETAILS

\*Above data is for reference purpose only. It is advisable to take prior confirmation from our design before placing any order.

## SYSTEM TECHNICAL SPECIFICATION

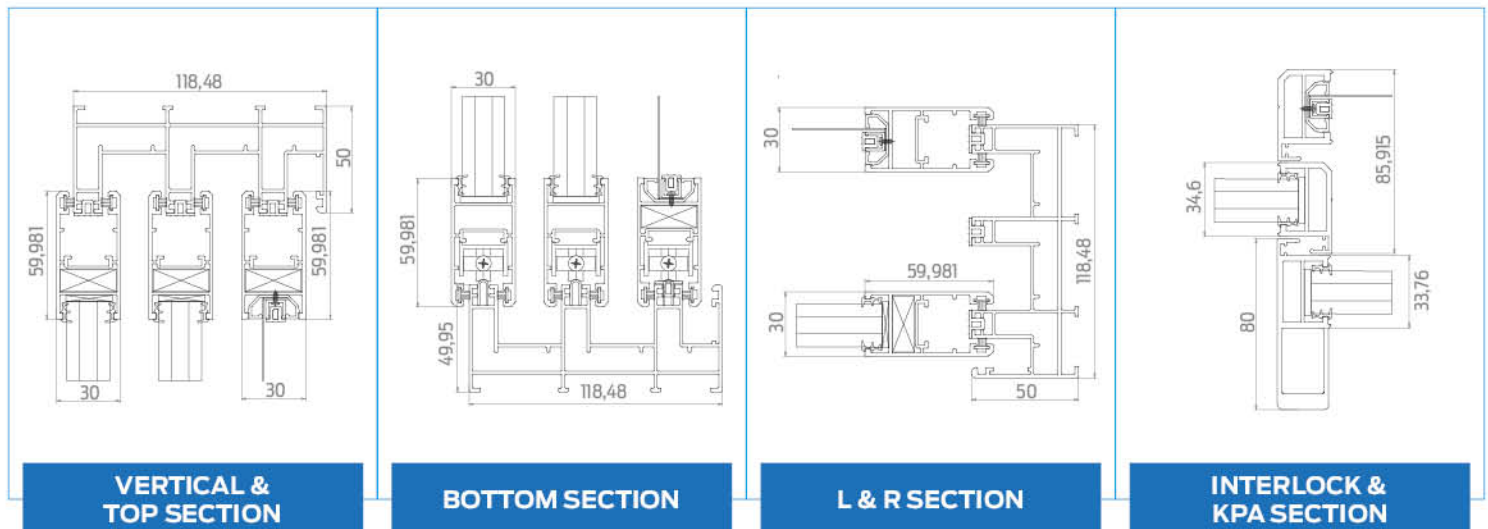
|  |                |
|--|----------------|
| Profile Alloy                              | 6063 T6        |
| Glass Thickness                            | 5 to 24 mm     |
| Max Height / Shutter*                      | 3000 mm        |
| Max Weight / Shutter                       | 350 kgs        |
| Multi Locking / Single Locking             | YES            |
| Mosquito Mesh Solution                     | YES            |
| Hidden Bottom                              | YES            |
| Corner Opening                             | YES            |
| Roller Bearing (40 to 160kg / per Bearing) | Aluminium Body |
| Stainless Steel Rail                       | S.S 304 Grade  |

## APPLICATION & SECTION DETAIL

|                            |           |
|----------------------------|-----------|
| Frame Height*              | 50.3 mm   |
| Frame Width [3t-2p-1mesh]* | 118.48 mm |
| Sightline at Interlock*    | 15 mm     |

## TEST REPORT

|                    |            |
|--------------------|------------|
| Wind Resistance*   | Up to 2KPa |
| Air Infiltration*  | 300 Pa     |
| Water Penetration* | 390 Pa     |

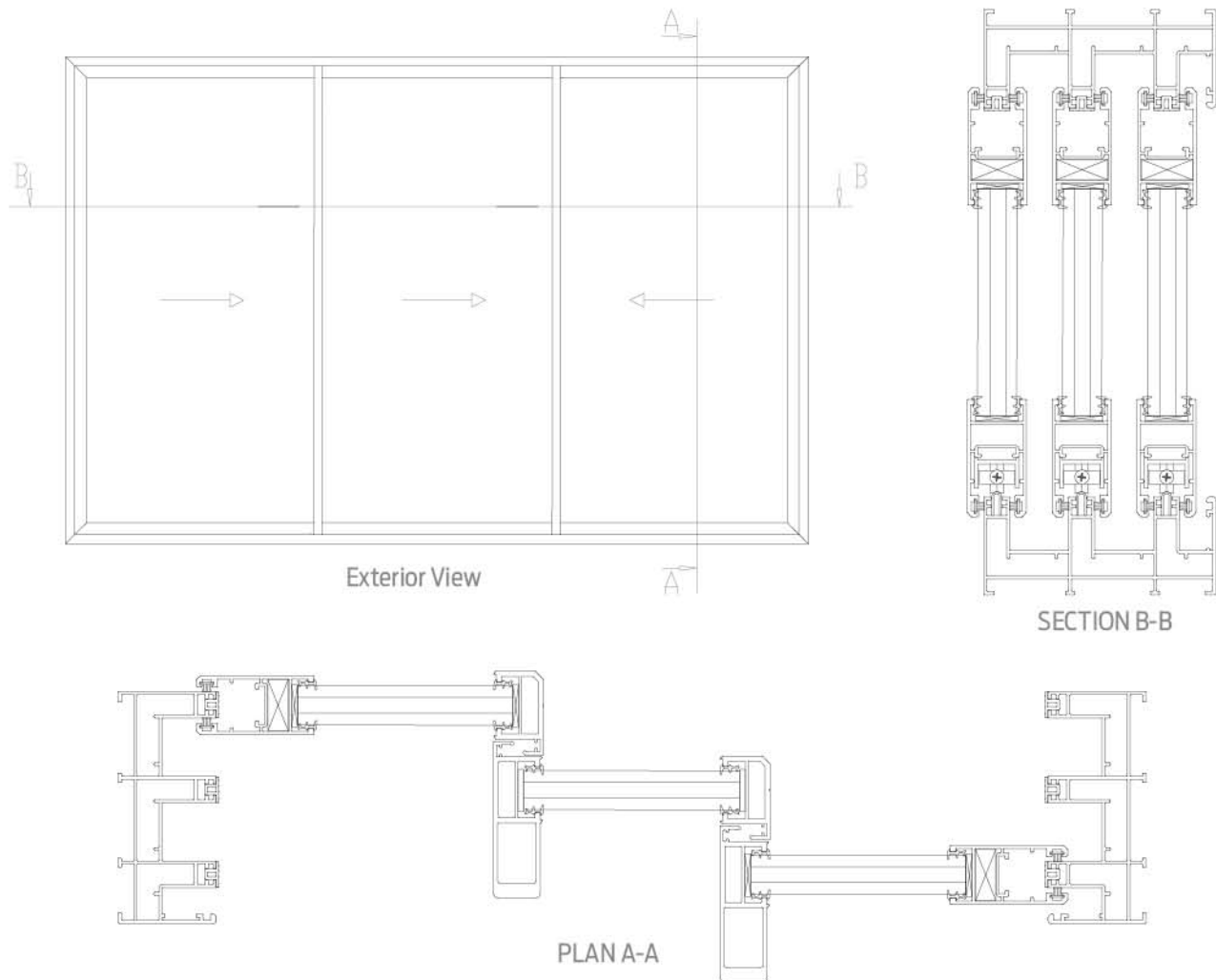




# SLIDING SERIES



## WE-SL25 Slim - Visualization Drawing



## ASSEMBLY DRAWING DETAILS

\*Above data is for reference purpose only. It is advisable to take prior confirmation from our design before placing any order.

## SYSTEM TECHNICAL SPECIFICATION

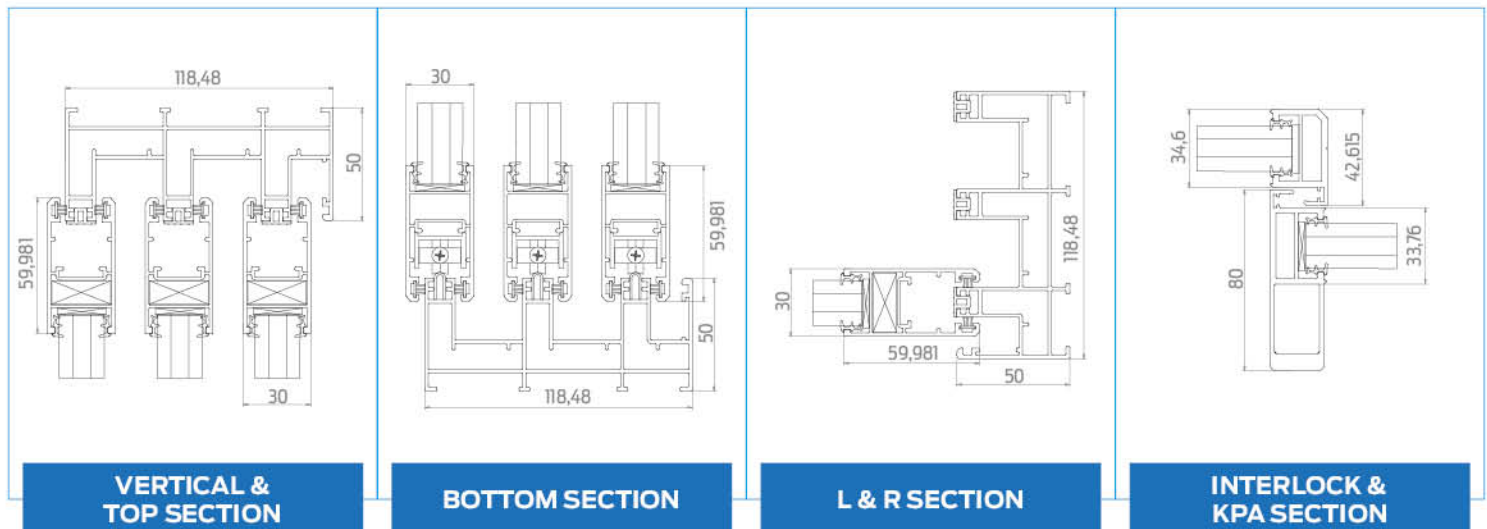
|  |                |
|--|----------------|
| Profile Alloy                              | 6063 T6        |
| Glass Thickness                            | 5 to 24 mm     |
| Max Height / Shutter*                      | 2400 mm        |
| Max Weight / Shutter                       | 350 kgs        |
| Multi Locking / Single Locking             | YES            |
| Mosquito Mesh Solution                     | YES            |
| Hidden Bottom                              | YES            |
| Corner Opening                             | YES            |
| Roller Bearing (40 to 160kg / per Bearing) | Aluminium Body |
| Stainless Steel Rail                       | S.S 304 Grade  |

## APPLICATION & SECTION DETAIL

|                         |           |
|-------------------------|-----------|
| Frame Height*           | 50.3 mm   |
| Frame Width [3t-3p]*    | 118.48 mm |
| Sightline at Interlock* | 25 mm     |

## TEST REPORT

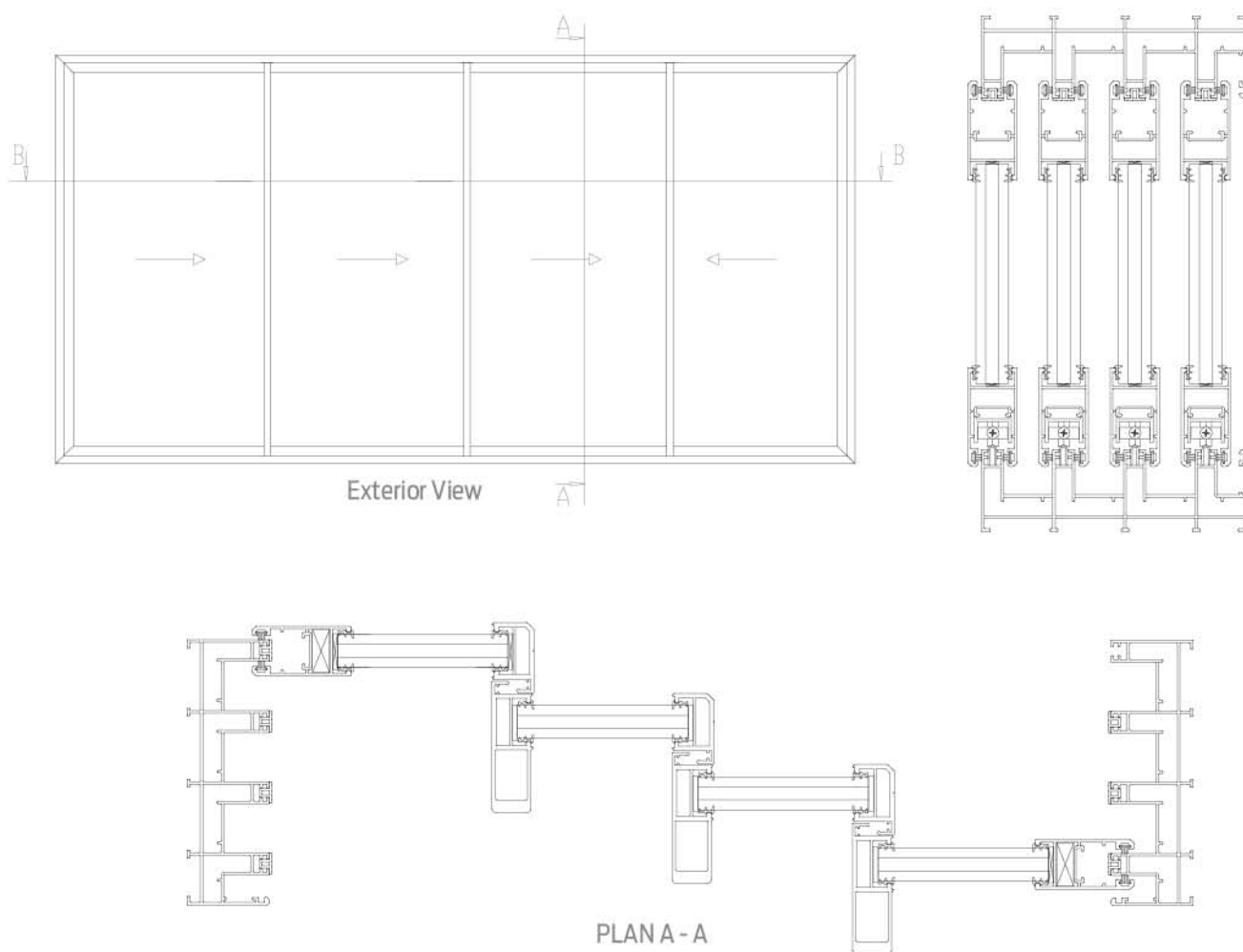
|                    |            |
|--------------------|------------|
| Wind Resistance*   | Up to 2KPa |
| Air Infiltration*  | 300 Pa     |
| Water Penetration* | 390 Pa     |



# SLIDING SERIES



## WE-SL25 Slim - Visualization Drawing



## ASSEMBLY DRAWING DETAILS

\*Above data is for reference purpose only. It is advisable to take prior confirmation from our design before placing any order.



## SYSTEM TECHNICAL SPECIFICATION

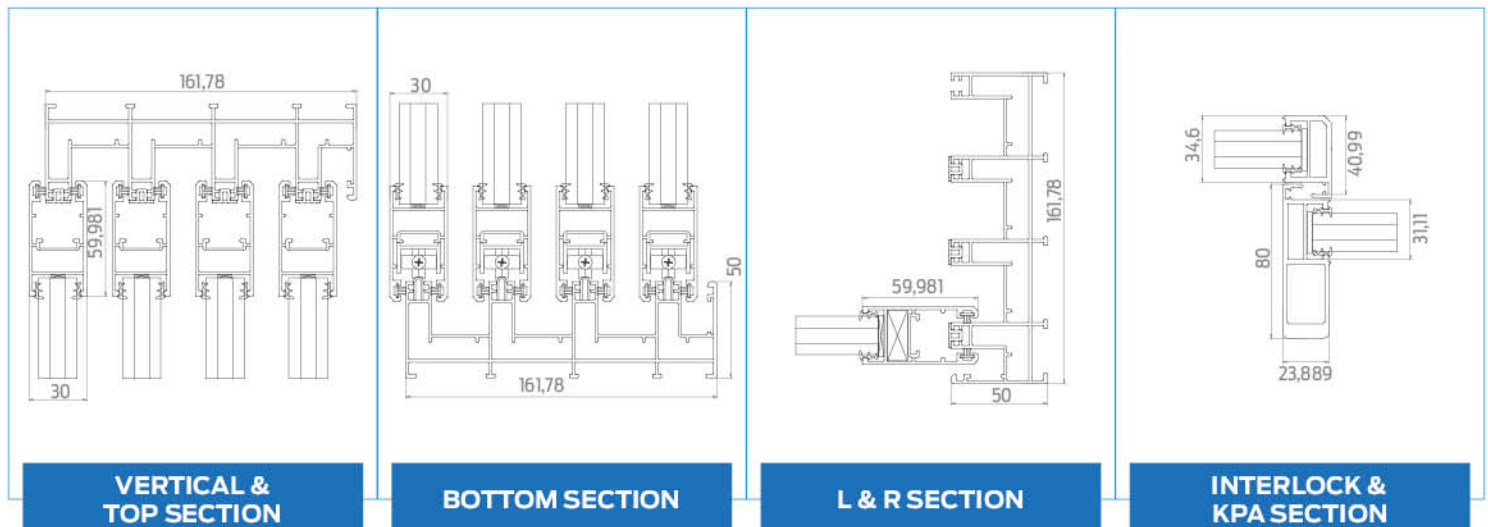
|  |                |
|--|----------------|
| Profile Alloy                              | 6063 T6        |
| Glass Thickness                            | 5 to 24 mm     |
| Max Height / Shutter*                      | 3000 mm        |
| Max Weight / Shutter                       | 350 kgs        |
| Multi Locking / Single Locking             | YES            |
| Mosquito Mesh Solution                     | YES            |
| Hidden Bottom                              | YES            |
| Corner Opening                             | YES            |
| Roller Bearing (40 to 160kg / per Bearing) | Aluminium Body |
| Stainless Steel Rail                       | S.S 304 Grade  |

## APPLICATION & SECTION DETAIL

|                         |           |
|-------------------------|-----------|
| Frame Height*           | 50.3 mm   |
| Frame Width [4t-4p]*    | 161.78 mm |
| Sightline at Interlock* | 25 mm     |

## TEST REPORT

|                    |            |
|--------------------|------------|
| Wind Resistance*   | Up to 2KPa |
| Air Infiltration*  | 300 Pa     |
| Water Penetration* | 390 Pa     |



VERTICAL & TOP SECTION

BOTTOM SECTION

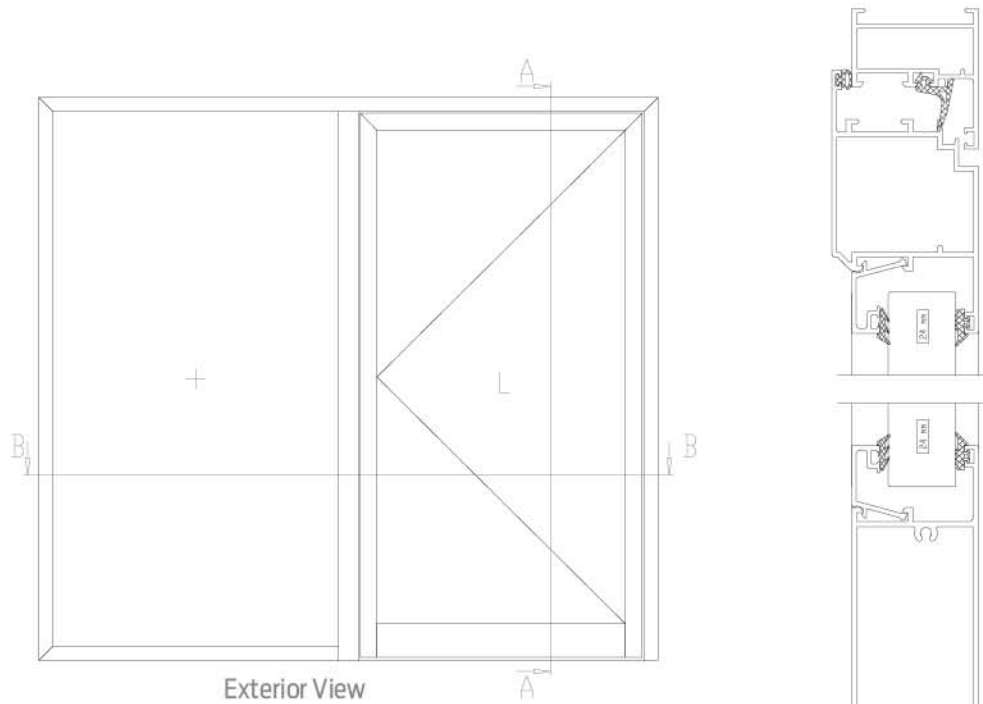
L & R SECTION

INTERLOCK & KPA SECTION

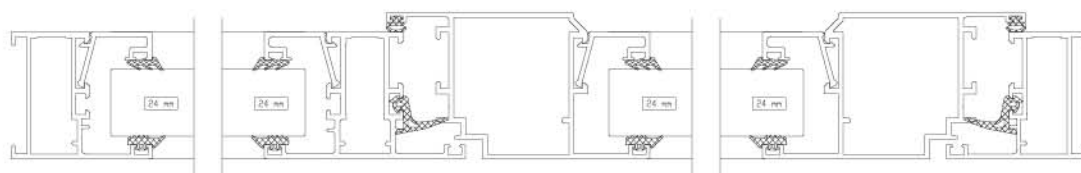
# CASEMENT SERIES



## WE-CS45 Slim - Visualization Drawing



Exterior View



PLAN A-A

## ASSEMBLY DRAWING DETAILS

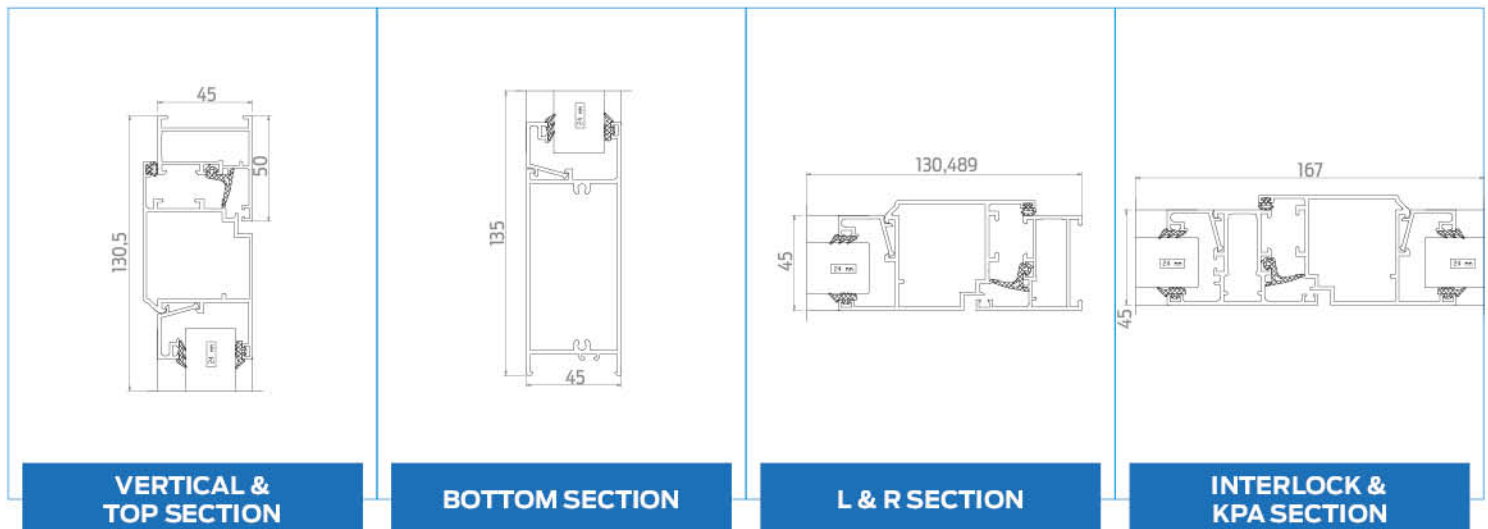
\*Above data is for reference purpose only. It is advisable to take prior confirmation from our design before placing any order.

## SYSTEM TECHNICAL SPECIFICATION

|                                |   |
|--------------------------------|---|
| Profile Alloy                  | 6063                                      |
| Glass Thickness                | 5mm to 30mm                               |
| Glazing Option                 | Single / Laminate / DGU /<br>DGU Laminate |
| Sound Reduction                | Up to 33 db                               |
| Max width / Shutter*           | 1200mm                                    |
| Max Height / Shutter*          | 2400mm                                    |
| Max Weight / Shutter           | 150 KGS                                   |
| Multi Locking / Single Locking | YES                                       |
| Mosquito mesh solution         | Pull down / Collapsible                   |
| Hinge                          | Butt / Friction                           |
| Opening                        | Side Hung / Top Hung                      |

## APPLICATION & SECTION DETAIL

|                                |                    |
|--------------------------------|--------------------|
| Frame Height*                  | IN 50mm X OUT Hung |
| Frame Width                    | 45mm               |
| Shutter                        | 51 / 79mm          |
| Sightline At Mullion / Shutter | 178mm              |

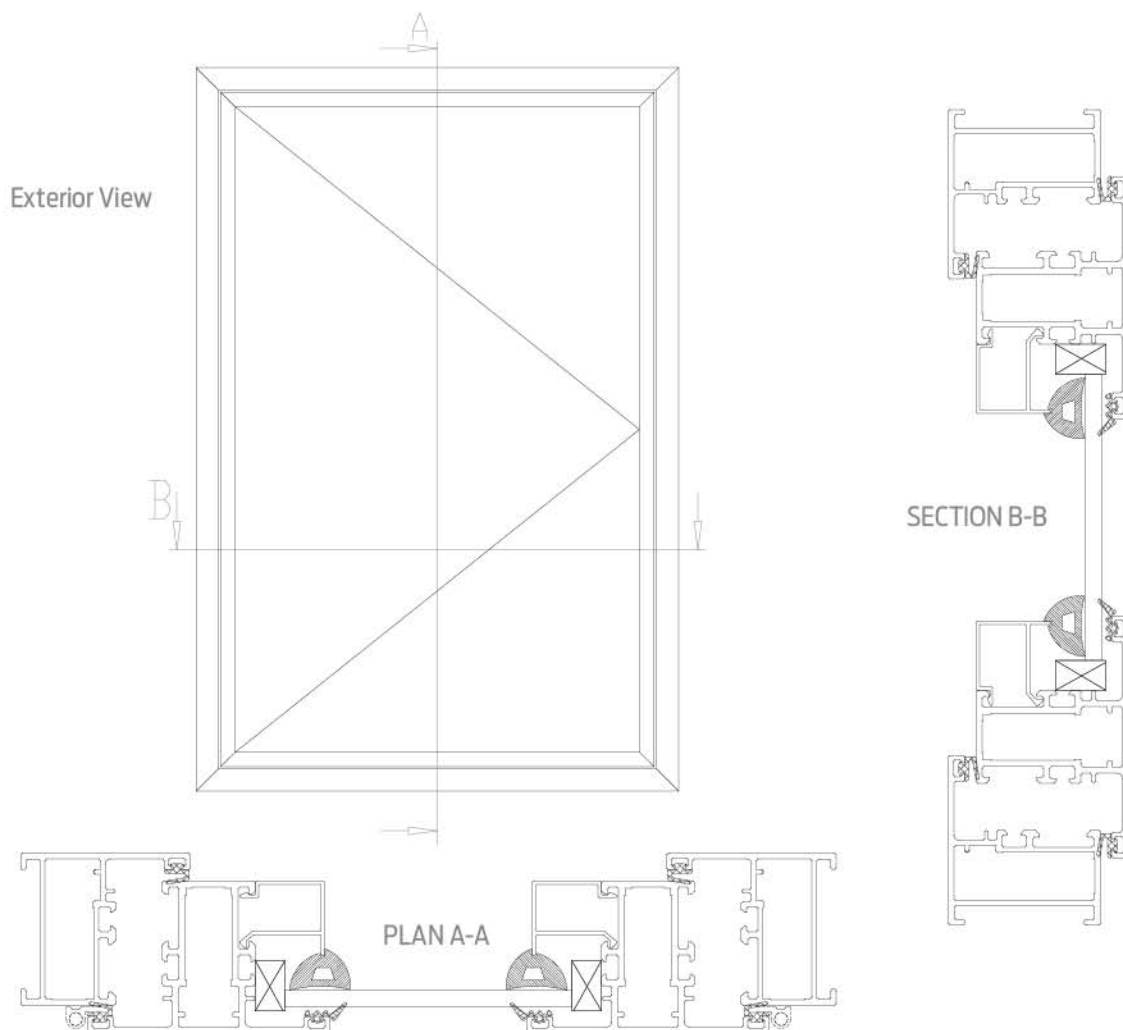




# CASEMENT SERIES



**WE-CS45 Series - Visualization Drawing**



## ASSEMBLY DRAWING DETAILS

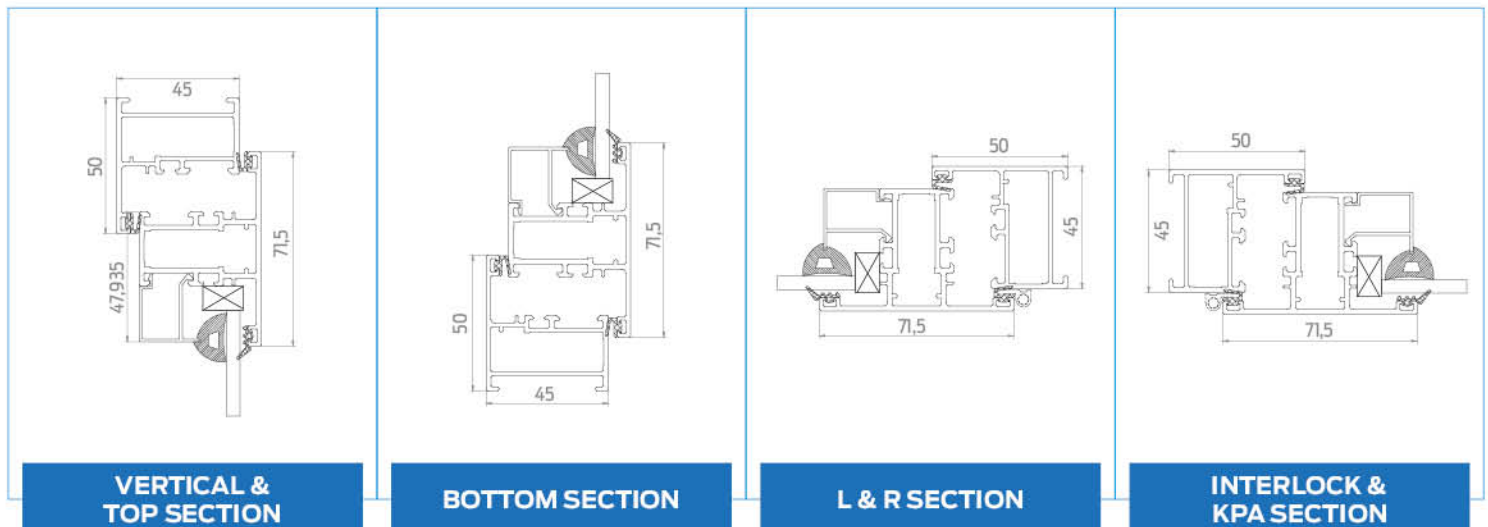
\*Above data is for reference purpose only. It is advisable to take prior confirmation from our design before placing any order.

## SYSTEM TECHNICAL SPECIFICATION

|                                |   |
|--------------------------------|---|
| Profile Alloy                  | 6063                                      |
| Glass Thickness                | 5mm to 30mm                               |
| Glazing Option                 | Single / Laminate / DGU /<br>DGU Laminate |
| Sound Reduction                | Up to 33 db                               |
| Max width / Shutter*           | 700mm                                     |
| Max Height / Shutter*          | 1800mm                                    |
| Max Weight / Shutter           | 90 KGS                                    |
| Multi Locking / Single Locking | YES                                       |
| Mosquito mesh solution         | Pull down / Collapsible                   |
| Hinge                          | Butt / Friction                           |
| Opening                        | Side Hung / Top Hung                      |

## APPLICATION & SECTION DETAIL

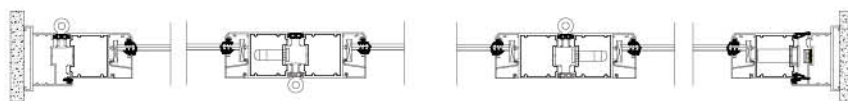
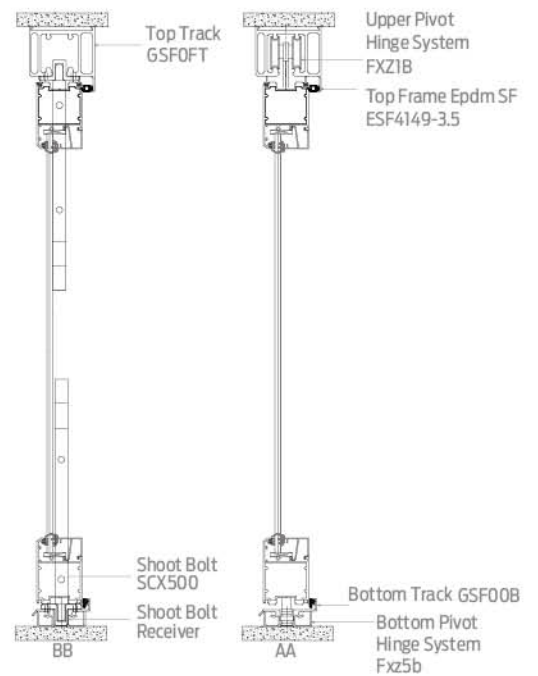
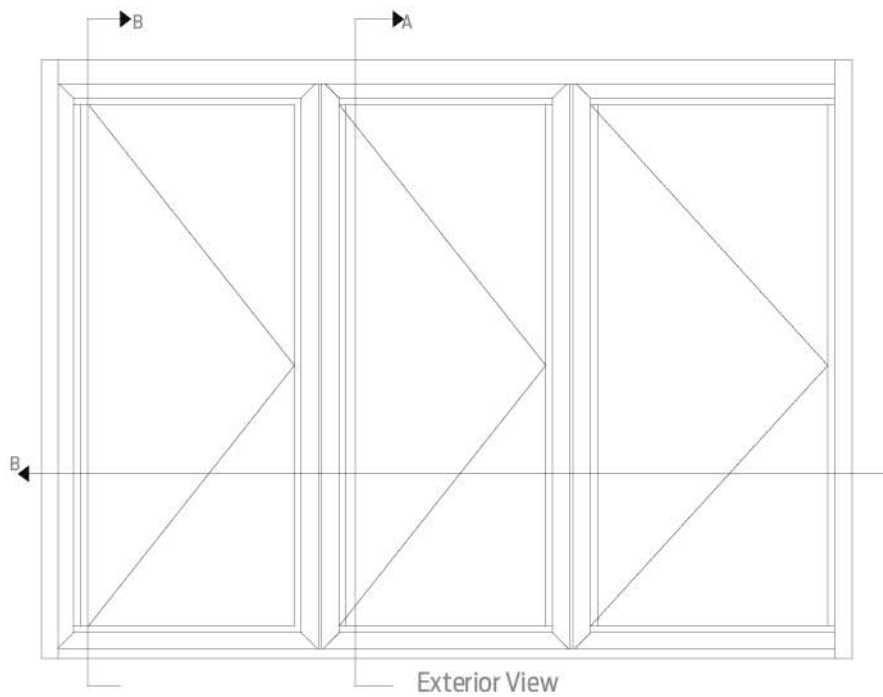
|                                |                    |
|--------------------------------|--------------------|
| Frame Height*                  | IN 50mm X OUT Hung |
| Frame Width                    | 50mm               |
| Shutter                        | 51 / 79mm          |
| Sightline At Mullion / Shutter | 178mm              |



# SLIDE & FOLD SERIES



**WE-SF72 SERIES - Visualization Picture**



## ASSEMBLY DRAWING DETAILS

\*Above data is for reference purpose only. It is advisable to take prior confirmation from our design before placing any order.

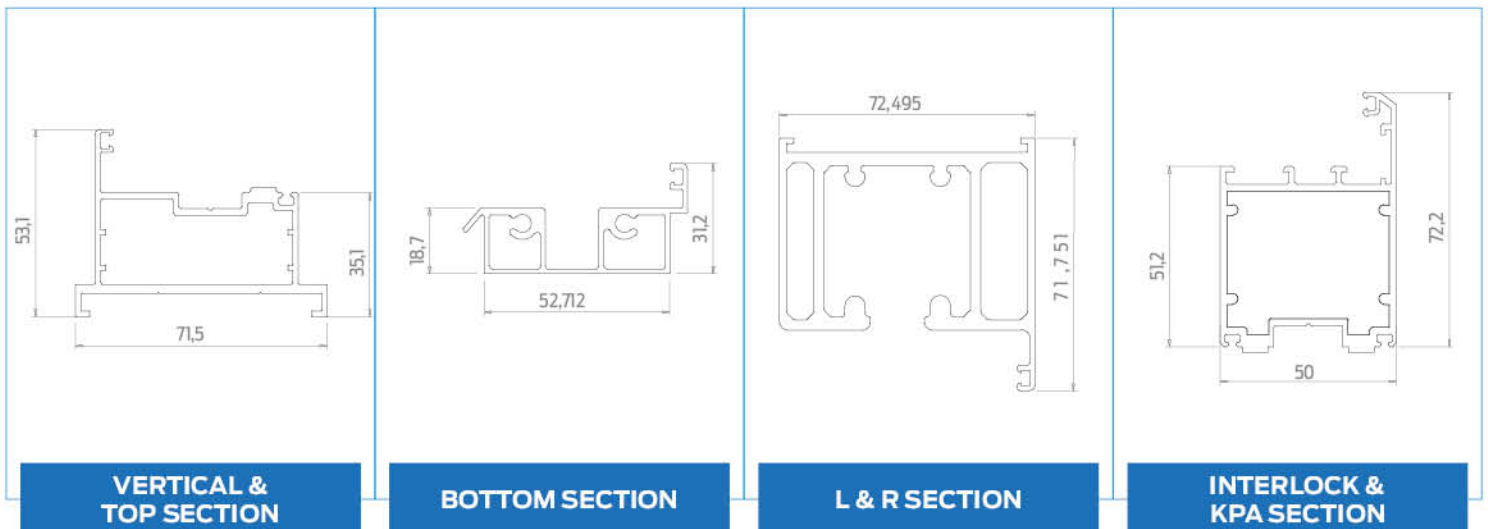


## SYSTEM TECHNICAL SPECIFICATION

|                                |   |
|--------------------------------|---|
| Profile Alloy                  | 6063                                      |
| Glass Thickness                | 5mm to 30mm                               |
| Glazing Option                 | Single / Laminate / DGU /<br>DGU Laminate |
| Sound Reduction                | Up to 33 db                               |
| Max width / Shutter*           | 800mm                                     |
| Max Height / Shutter*          | 2400mm                                    |
| Max Weight / Shutter           | 120 KGS                                   |
| Multi Locking / Single Locking | YES                                       |
| Mosquito mesh solution         | Pull down / Collapsible                   |
| Hinge                          | Butt                                      |
| Opening                        | Side Hung / Top Hung                      |

## APPLICATION & SECTION DETAIL

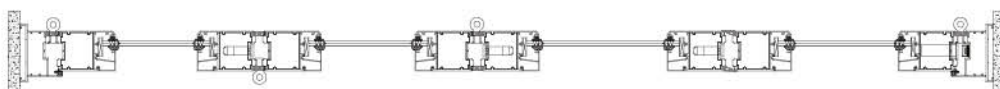
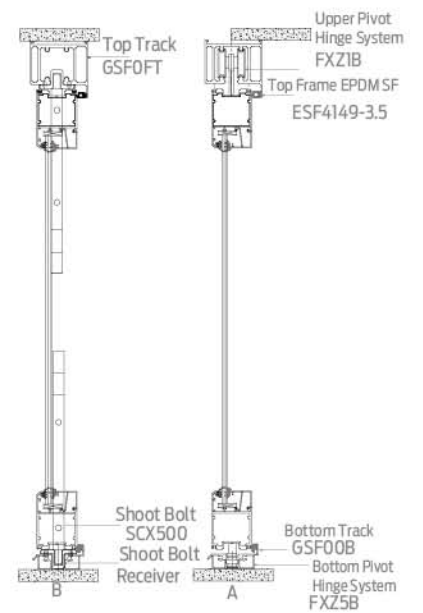
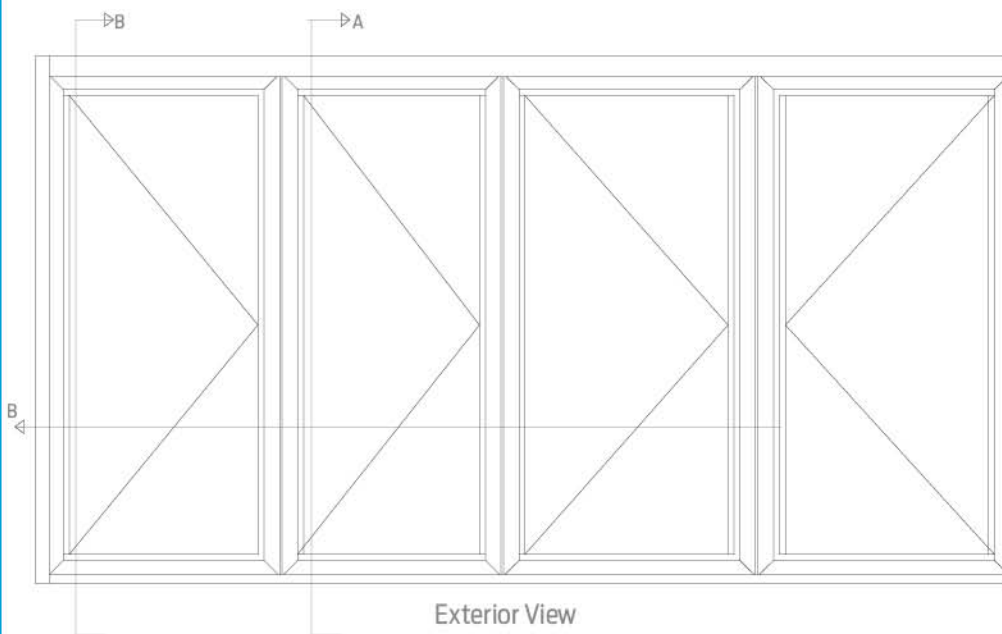
|                      |             |
|----------------------|-------------|
| Frame Bottom Height* | 31.2mm      |
| Frame top height     | 71.75mm     |
| Frame Width          | 71.5mm      |
| Shutter              | 50 / 72.2mm |



# SLIDE & FOLD SERIES



**WE-SF72 SERIES - Visualization Drawing**



## ASSEMBLY DRAWING DETAILS

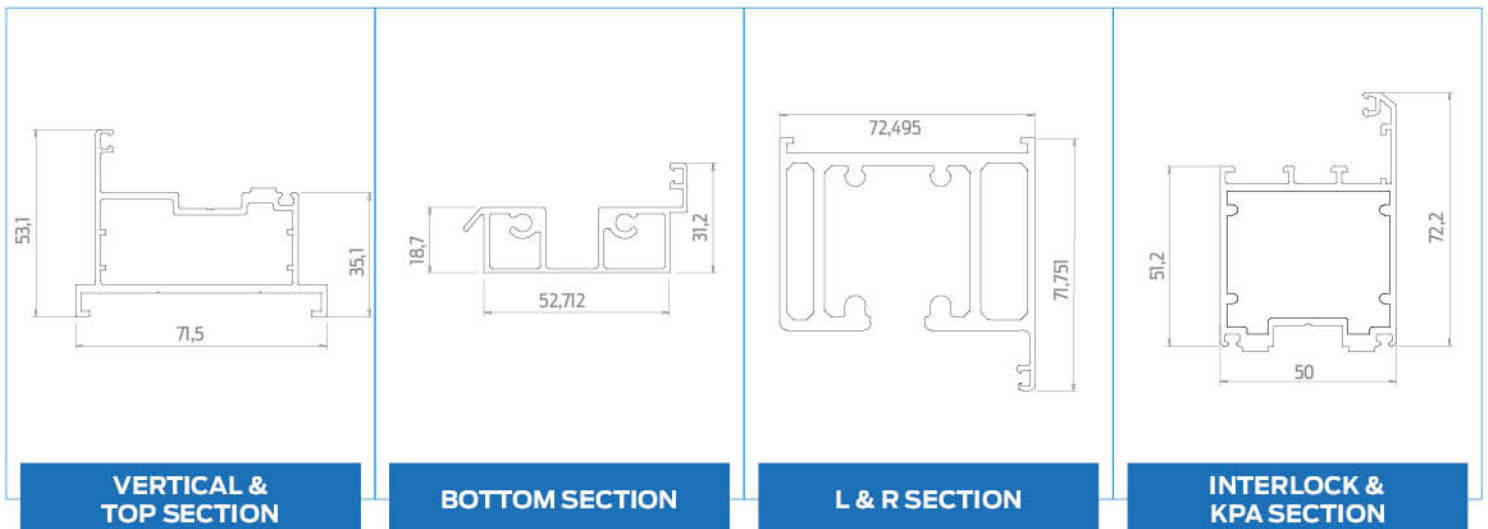
\*Above data is for reference purpose only. It is advisable to take prior confirmation from our design before placing any order.

## SYSTEM TECHNICAL SPECIFICATION

|                                |   |
|--------------------------------|---|
| Profile Alloy                  | 6063                                      |
| Glass Thickness                | 5mm to 30mm                               |
| Glazing Option                 | Single / Laminate / DGU /<br>DGU Laminate |
| Sound Reduction                | Up to 33 db                               |
| Max width / Shutter*           | 800mm                                     |
| Max Height / Shutter*          | 2400mm                                    |
| Max Weight / Shutter           | 120 KGS                                   |
| Multi Locking / Single Locking | YES                                       |
| Mosquito mesh solution         | Pull down / Collapsible                   |
| Hinge                          | Butt                                      |
| Opening                        | Side Hung / Top Hung                      |

## APPLICATION & SECTION DETAIL

|                      |             |
|----------------------|-------------|
| Frame Bottom Height* | 31.2mm      |
| Frame top height     | 71.75mm     |
| Frame Width          | 71.5mm      |
| Shutter              | 50 / 72.2mm |







*Team Window Expert...*

# Why Window Expert?



With quite a decade in providing end-to-end solution, we are committed for quality & service. Our products are carefully crafted to suit seamlessly into your requirements.



## Proven Track Record

1,00,000 installations across the country 10,000 delighted customers.



## Fastest Growing in the Fenestration Space

Window expert has grown tremendously in the last 5 years thanks to unmatched quality, Superior performance & best in class service.



## We Deliver on What We Promise

"ZERO" late installations till date. Ask our customers if you'd like. Window Expert Industries Pvt. Ltd. is committed towards on time delivery & diligent after-sales service.



## Installation & Maintenance by Specialist

Our team of professionals is adept in the science of window system. We are committed towards delivering nothing but the best in term of quality & service.



## Warranty

Be rest assured. Warranty 10 Years on uPVC Profiles, 12 Years on High end Aluminum Profiles & 2 Years on Hardware. If it has an issue covered under the warranty. We will replace it.



## PRODUCTS -

- uPVC Windows & Doors
- System Aluminium Windows & Doors
- Glass Facade
- Modular Glass Railing

## Clients -



....and many more !

## Window Expert Industries Pvt. Ltd.

- uPVC Windows & Doors
- System Aluminium Windows & Doors
- Glass Facade
- Modular Glass Railing

**Regd. Office & Factory :** Gat No. 318, Dhakambe Shivar, Behind Wada Hotel, Dindori Road, Dist. Nashik 422 004 (Maharashtra, India).

**Mumbai Display Centre :** Office No. 104, 1<sup>st</sup> Floor, Crown 83, Building No. 1, Tagore Nagar, Vikhroli (E), Mumbai 400 083.

✉ [admin@windowexpert.in](mailto:admin@windowexpert.in) 🌐 [www.windowexpert.in](http://www.windowexpert.in)

☎ 98605 74999, 85529 79999, Office: 73784 59999, 84466 73999